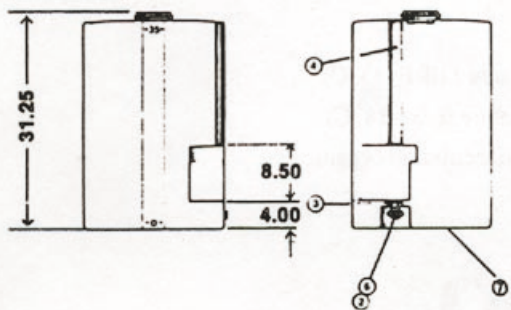
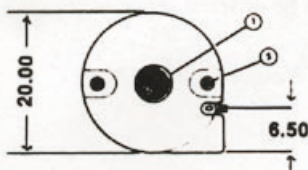


Information Sheet

Polyethylene Tank Assemblies

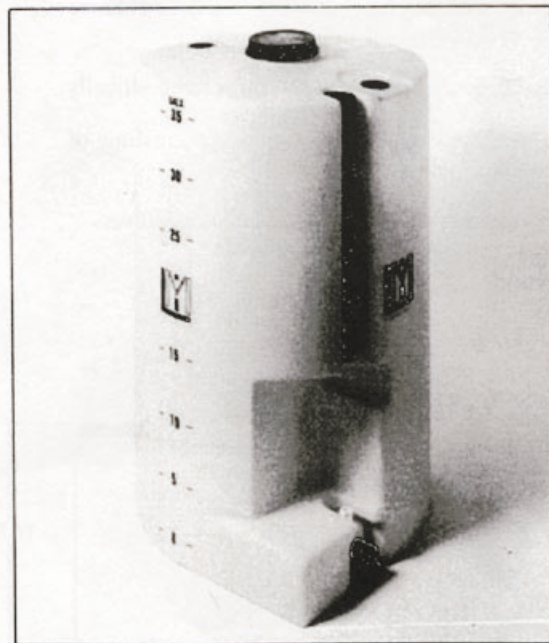
NO. 27400 35 GALLON TANK ASSEMBLY

- Ultraviolet resistant, yellow polyethylene tank with recess for mounting of any LMI Series A, P, or J pump.
- Fitted for mounting of agitator and liquid level switch.
- Provides an economical, all-in-one flooded suction installation. Less to assemble, less to maintain.
- Shut off valve, discharge tubing retainer and large upper fill hole complete this unique design.
- 5 gallon graduations. 20 liter graduations.
- Suitable for most corrosive and non-corrosive solutions.



NOTES:

1. Full, flat bottom support required.
2. Maximum solution/ambient temperature 110° F (43° C).
3. Minimum solution/ambient temperature 0° F (-18° C).
4. Not suitable for use with slurries, concentrated organic solvents, oils and related materials.



Model No. 27400 Tank Assembly
(Pump must be ordered separately.)

COMPONENT PARTS Model 27400 Tank Assembly

Ref No.	Part No.	Description	Qty
1	27039	Capplug, PE, large	1
2	27300	Valve, 1/4", PVC	1
3*	10482	Fitting, 3/8", 1/4" NPT PP	1
3*	27397	Fitting, 1/4", 1/4" NPT PP	
4	27398-1	Retainer, Tube	1
5	10346	Capplug, PE, small	2
6	27401	Nipple, 1/4" PVC	1
7	27325	Tank, 35 Gallon PE	1
8	27903	Velcro®	2

Shipping Weight: 18 lbs (8.2 kg)

*Two fittings are supplied with each tank assembly for connection to either 3/8" OD or 1/4" OD tubing.



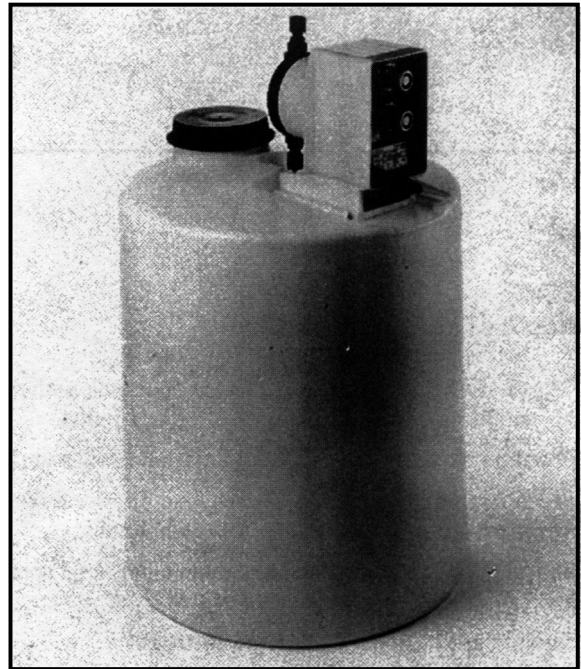
8 Post Office Square
Acton, MA 01720 USA
TEL: (978) 263-9800
FAX: (978) 264-9172
<http://www.lmipumps.com>



Replaces same of Rev. B 7/96
1250.B 8/97

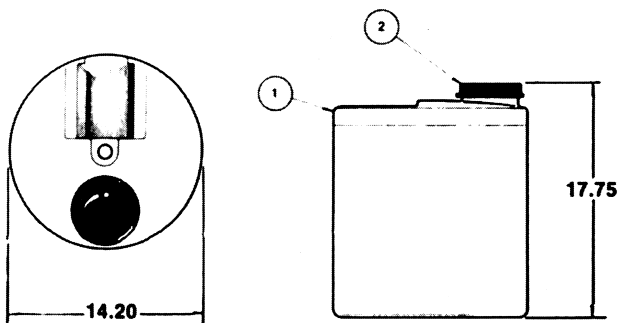
**NO. 27421
10 GALLON TANK ASSEMBLY**

- Ultraviolet resistant, yellow polyethylene tank.
- Molded recesses for mounting of any LMI Series A, J, or P pump.
- Convenient and light weight, ships economically.
- Large fill hole at top allows easy replenishing of solution.
- Slightly translucent yet rugged design allows checking solution level at a glance.



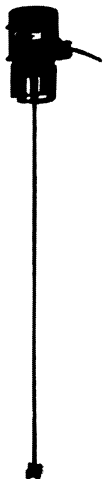
Model No. 27421 Tank Assembly
(Pump must be ordered separately.)

Shipping Weight: 7 lbs (3.2 kg)



NOTES:

1. Full, flat bottom support required.
2. Maximum solution/ambient temperature 110° F (43° C).
3. Minimum solution/ambient temperature 0° F (-18° C).
4. Not suitable for use with slurries, concentrated organic solvents, oils and related materials.



**AGITATOR
NO. 27591**

115 VAC, 50/60 Hz, 1.5 amp, 175 watts,
1/20 HP. 27" S.S. shaft with S.S. impeller
and resistant coating.



**LIQUID LEVEL SWITCH
NO. 27417**

115 VAC, 50/60 Hz, max load: 3 amps. Glass
fiber reinforced polypropylene housing.
Polypropylene float. Connections for pump and
low-level signal device.