

Instruction Sheet

35 Gallon Polyethylene Tank Assembly

Model No. 27400

The LMI 35 gallon polyethylene tank assembly (Model No. 27400) can be used for flooded suction or suction lift applications.

When using the tank for a flooded suction application, LMI pumps are placed in the tank's designed recess area near the bottom of the tank. The following pump models can be utilized: AA, ROYTRONIC® Series A, J, P and ROYTRONIC EXCEL™ Series AD with FASTPRIME™ liquid ends.

When using the tank for a suction lift application, LMI pumps are placed on the molded recess at the top of the tank. The following pump models can be utilized: AA, ROYTRONIC® Series A, J, P, B, C and ROYTRONIC EXCEL™ Series AD.



NOTE:

- (a) LMI Model No. 27400 comes with the combination drain valve and pump suction connection disassembled.
- (b) Full, flat bottom support is required.

Flooded Suction Instructions:

1. Wrap Teflon® tape or apply pipe thread compound to the threads of the nipple at the rear of the drain valve.
2. Thread the valve into the drain port of the tank. Hand tighten enough to prevent leakage or apply a 7/8" open end wrench to the hex nut behind the valve knob. Leave the valve with its branch pointing up toward the pump shelf.
3. Choose correct size tubing connector for your LMI pump's tubing. Wrap Teflon® tape or apply pipe thread compound to the 1/4" NPT male pipe threads of the connector.
4. Thread connector onto the vertical branch of the gray PVC drain valve. It may be necessary to apply a 13/16" open end wrench to the hexagonal portion of the connector to fully tighten this fitting.
5. Unpack the LMI Series pump which will be used with your tank assembly. Remove the coupling nut from the tubing connection at the suction side (bottom) of the pump head.
6. Cut a short length of suction tubing (about 5" [12.5 cm] long). Install this tubing on the pump's suction connection as instructed in the pump's instruction manual.
7. Apply Velcro® strip halves to the pump bottom and tank shelf checking to be sure that spacing is the same on the pump as on shelf.
8. Slide white tubing coupling nut onto the tubing with threads pointing downward.
9. Set the pump on the tank shelf with the short length of suction tubing inserted into the white connector in the drain valve. Check that the tubing is long enough that it seats fully in the socket.
10. Remove the black foam rubber tubing retainer from the vertical groove in the tank. Insert the discharge tubing through the center hole of this retainer. Connect the discharge tubing to the discharge side of the pump head as instructed in the pump's instruction manual. Hand tighten coupling nut.
11. Fill tank with approximately 6" (13 cm) of water and check all connection points for leakage. Tighten connections where necessary.
12. When all connections are tight, remove water from tank and fill with solution to be pumped.

Model No. 27400 Tank Assembly



201 Ivyland Road
Ivyland, PA 18974 USA
TEL: (215) 293-0401
FAX: (215) 293-0445
<http://www.lmipumps.com>

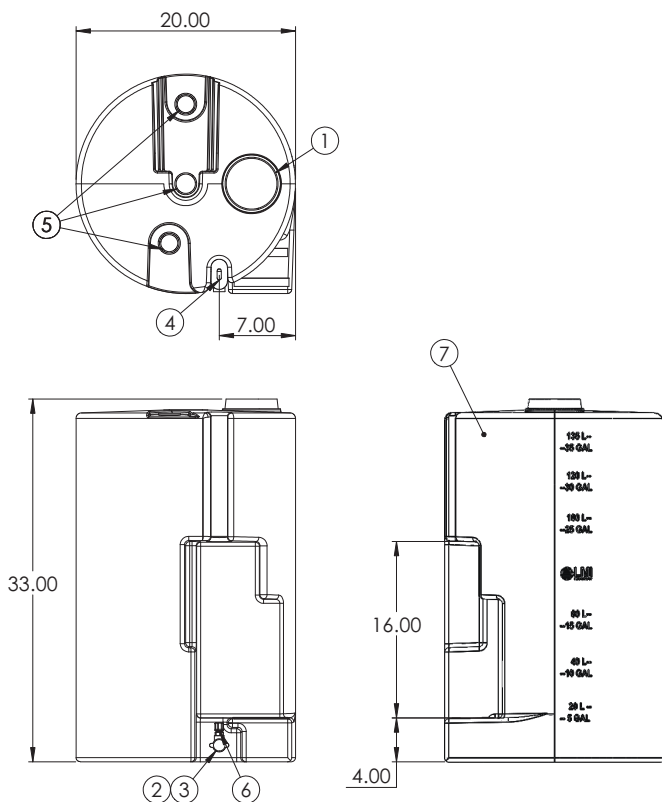
No. 27400

35 Gallon Tank Assembly

- Ultraviolet resistant, yellow polyethylene tank with recess for mounting of any LMI Series AA, J, P pump, ROYTRONIC® Series A or ROYTRONIC EXCEL™ Series AD Pump with FASTPRIME™ liquid ends.
- Fitted for mounting of agitator and liquid level switch.
- Provides an economical, all-in-one flooded suction installation. Less to assemble, less to maintain.
- Shut off valve, discharge tubing retainer and large upper fill hole complete this unique design.
- 5 gallon graduations. 20 liter graduations.
- Suitable for most corrosive and non-corrosive solutions.
- Certified to NSF/ANSI standard 61 and 372.



Model No. 27400 Tank Assembly
(Pump must be ordered separately.)



COMPONENT PARTS			
Model 27400 Tank Assembly			
Ref No.	Part No.	Description	Qty
1	27039	Capplug, PE, large	1
2	27300	Valve, 1/4" PVC	1
3*	10482	Fitting, 3/8", 1/4" NPT PP	1
3*	27397	Fitting, 1/4", 1/4" NPT PP	1
4	27398-1	Retainer, Tube	1
5	10346	Capplug, PE, small	3
6	27401	Nipple, 1/4" PVC	1
7	27325	Tank, 35 Gallon PE	1
8	27903	Velcro®	2
9	77382	Connector Kit, 1/4"	1
10	77383	Connector Kit, 3/8"	1
Shipping Weight: 18 lbs (8.2 kg)			
*Two fittings are supplied with each tank assembly for connection to either 3/8" OD or 1/4" OD tubing.			

NOTES:

1. Full, flat bottom support required.
2. Maximum solution/ambient temperature 110° F (43° C).
3. Minimum solution/ambient temperature 0° F (-18° C).
4. Not suitable for use with slurries, concentrated organic solvents, oils and related materials.